

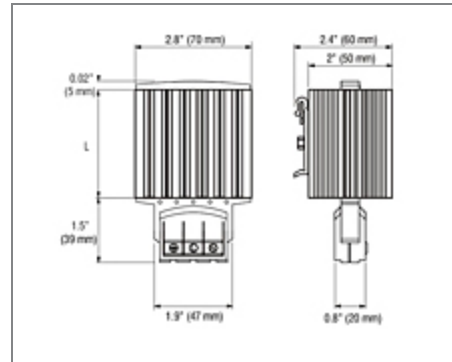

Stego, Inc.

95 Chastain Road NW

Suite 200

Kennesaw, GA 30144, USA

Toll-Free: (888) 783-4611 • **Phone:** (770) 984-0858

Email: info@stegousa.com • **Website:** www.stego-usa.com
Part # 14011.0-00, PTC Heater

[Specifications](#) | [Technical Data](#)
Specifications

Power¹	30 W
Voltage	12 - 30 VAC/VDC
Max. Current	9.6 A (inrush)

Technical Data

Heating Element	PTC resistor, temperature limiting
Heating Body	Anodized extruded aluminum
Connection	Push-type terminals for stranded and solid wire 3 x AWG 20-16 (0.5-1.5 mm ²)
Mounting	Clip for 35 mm DIN rail (EN 60 715)
Position	Preferably vertical
Dimensions	4.3 x 2.8 x 2.4 inches (104 x 70 x 60 mm)
Weight	7.6 oz (215 g)
Operating/Storage Temperature	-49 to 158 °F (-45 to 70 °C)

Protection Type	IP20
Protection Class	I (grounded)

¹ at 68° F (20° C) ambient temperature